

Technical Data Sheet E Series

Basic Info

KSF E 140x2100-E76-100	KSF E 140x1600-E76-100	KSF E 140x1300-E76-100	KSF E 140x1300-E76-100-K
Nominal length (mm)			
2100	1600	1300	1300
Tube diameter (mm)			
139,70	139,70	139,70	139,70
Weight (kg)			
23,50	18,50	15,00	13,00
Item number			
25500	26160	25502	25511

Construction

- Flange: GP240GH
- Coating: Hot-dip galvanized according to DIN EN ISO 1461
- Continuous welded helix

Applications



Accessoires



Excenter Set-E76
Item No. 26810



Excenter Set-E80
Item No. 26814



Excenter Set-E90
Item No. 26813



Excenter Set-E100
Item No. 26809



Reducer-E76-E60
Item No. 26821



Reducer-E76-E70
Item No. 26822



**Cover Plate
2 mm-E76-E100**
Item No. 26819



**Cover Plate
8 mm-E76-E100**
Item No. 26829



**Attachment
Screw-E76-E100**
Item No. 21837



Countersunk-E76-E100
Item No. 26830



KSF E 140x1300-
E76-100

Subject to technical change!

Krinner Schraubfundamente GmbH | Passauer Straße 55 | D-94342 Straßkirchen
Phone: +49 9424 9401-80 | E-Mail: service@krinner.com | www.krinner.com

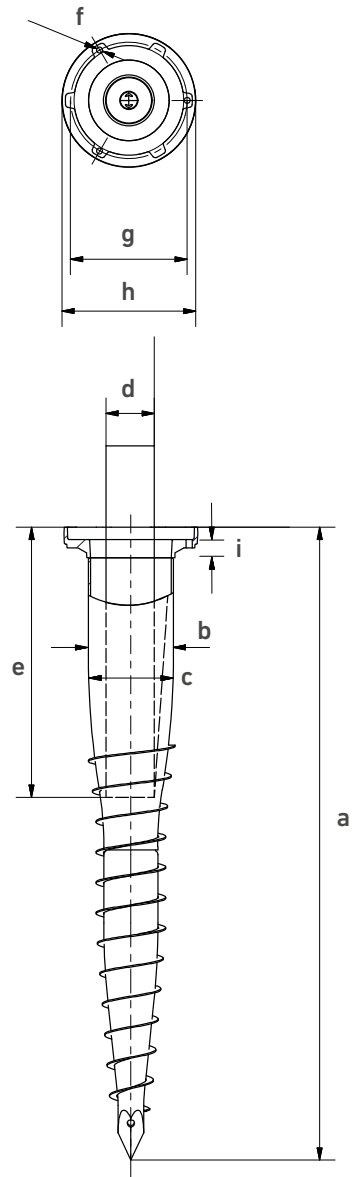
efficient · no concrete · durable

Technical Data

	KSF E 140x2100-E76-100	KSF E 140x1600-E76-100	KSF E 140x1300-E76-100	KSF E 140x1300-E76-100-K
a	Length (mm) (± 25 mm)			
	2110	1640	1310	1295
b	Outer diameter (mm)			
	139,70	139,70	139,70	139,70
c	Inner diameter (mm)			
	132,50	132,50	132,50	132,50
d	Diameter setting* (mm)			
	100 90 80 76**	100 90 80 76**	100 90 80 76**	100 90 80 76**
e	Depth setting (mm) (± 25 mm)			
	975 1010 1040 1040	730 775 810 810	565 630 650 650	320 340 350 355
f	Thread			
	3 x M12	3 x M12	3 x M12	3 x M12
g	Pitch circle diameter (mm)			
	192	192	192	192
h	Flange outer diameter (mm)			
	220	220	220	220
i	Flange thickness (mm)			
	14	14	14	14

* The diameter setting (d) determines the depth setting (e)

**Tip for installation: To adjust the depth setting, it is recommended to fill in ballast or insert an accessory plate



Online Service

KSF E 140x2100-E76-100	KSF E 140x1600-E76-100	KSF E 140x1300-E76-100	KSF E 140x1300-E76-100-K
---------------------------	---------------------------	---------------------------	-----------------------------

Webkey

E2550011D

E2616011D

E2550211D

E2551114D



Subject to technical change!

Krinner Schraubfundamente GmbH | Passauer Straße 55 | D-94342 Straßkirchen
Phone: +49 9424 9401-80 | E-Mail: service@krinner.com | www.krinner.com