

## Technical Data Sheet F Series

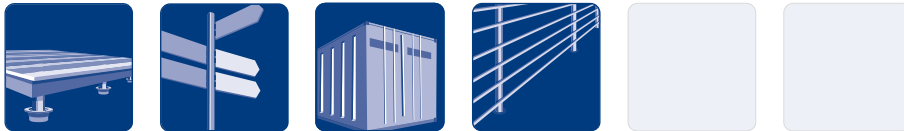
### Basic Info

KSF F 140x2100-M	KSF F 140x1600-M
Nominal length (mm)	
2100	1600
Tube diameter (mm)	
139.70	139.70
Weight (kg)	
24.00	20.00
Item number	
25490	25489

### Construction

- Flange: Sheet metal S355
- Continuous welded helix
- Coating: Hot-dip galvanized according to DIN EN ISO 1461

### Applications



KSF F 140x  
1600-M

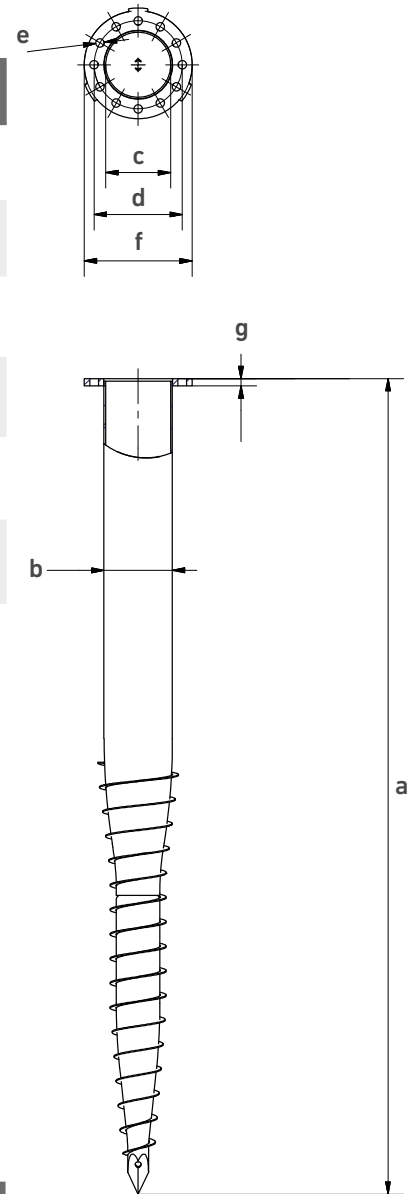
Subject to technical change!

Krinner Schraubfundamente GmbH | Passauer Straße 55 | D-94342 Straßkirchen  
Phone: +49 9424 9401-80 | E-Mail: service@krinner.com | www.krinner.com

efficient · no concrete · durable

### Technical Data

	KSF F 140x2100-M	KSF F 140x1600-M
a	Length (mm) ( $\pm 25$ mm)	
	2065	1665
b	Shaft outer diameter (mm)	
	139.70	139.70
c	Inner diameter (mm)	
	132.50	132.50
d	Pitch circle diameter (mm)	
	180	180
e	Pitch circle holes (mm)	
	12 x $\varnothing 17$	12 x $\varnothing 17$
f	Flange outer diameter (mm)	
	220	220
g	Flange thickness (mm)	
	15	15



### Online Service

KSF F 140x2100-M	KSF F 140x1600-M
------------------	------------------

Webkey

F2549011D

F2548911D



Subject to technical change!

Krinner Schraubfundamente GmbH | Passauer Straße 55 | D-94342 Straßkirchen  
 Phone: +49 9424 9401-80 | E-Mail: service@krinner.com | www.krinner.com