

Technical Data Sheet G Series

Basic Info

KSF G 76x800-4xM12

Nominal length (mm)

800

Tube diameter (mm)

76.10

Weight (kg)

3.80

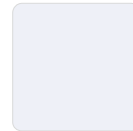
Item number

24083

Construction

- Nut: DIN EN ISO 4032 - 8
- Continuous welded helix
- Coating: Hot-dip galvanized according to DIN EN ISO 1461

Applications



Accessories



**Special
Granulate 1500 g**
Item No. 21824



**Special
Granulate 500 g**
Item No. 21823



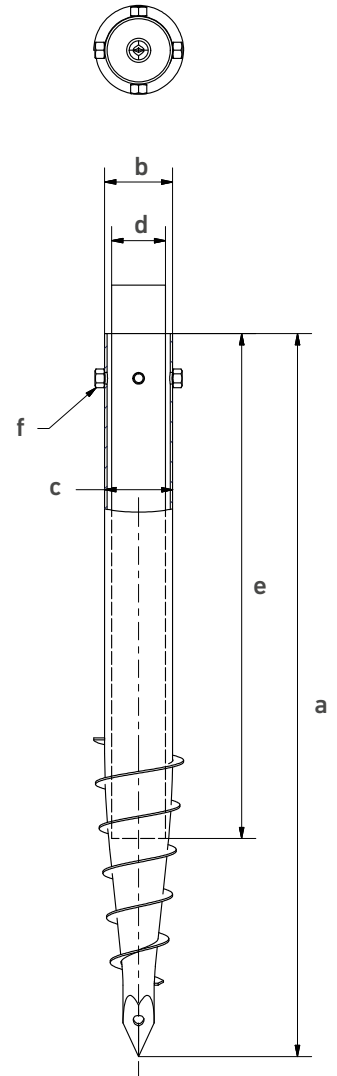
Screwing Bar long
2.40 kg
Item No. 24805



KSF G 76x800-
4xM12

Technical Data

KSF G 76x800-4xM12	
a	Length (mm) (± 25 mm) 810
b	Shaft outer diameter (mm) 76.10
c	Inner diameter (mm) 70.90
d	Diameter setting (mm) 70 60 48 40 34
e	Depth setting (mm) (± 25 mm) 460 590 650 690 730
f	Thread 4 x M12



Online Service

KSF G 76x800-4xM12	
--------------------	--

Webkey
G2408311D

